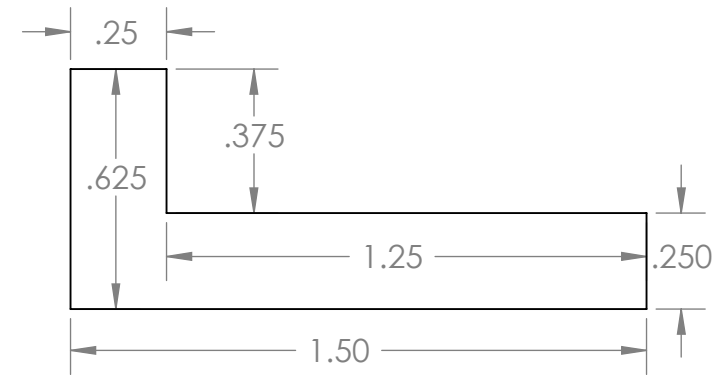
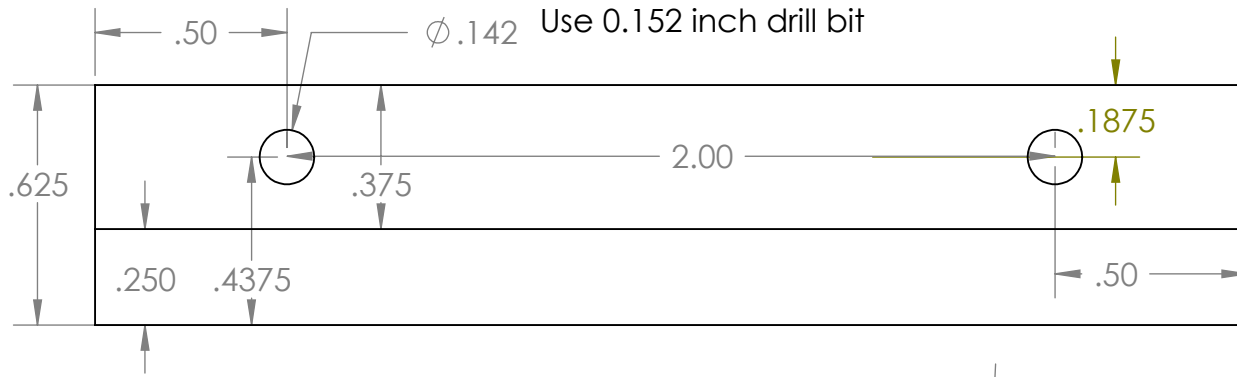
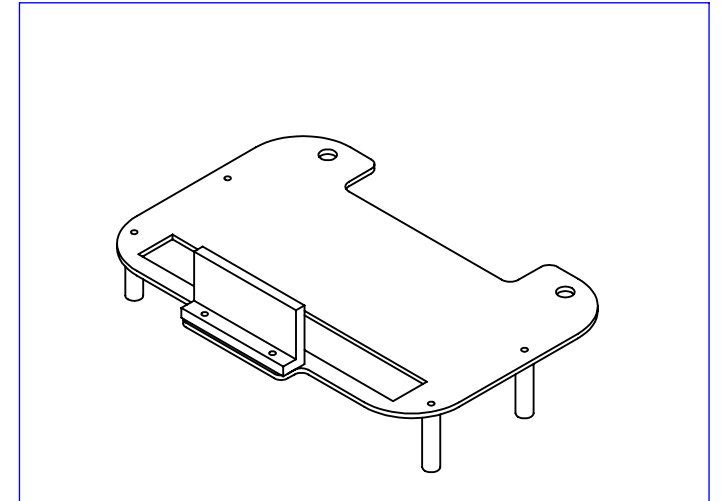
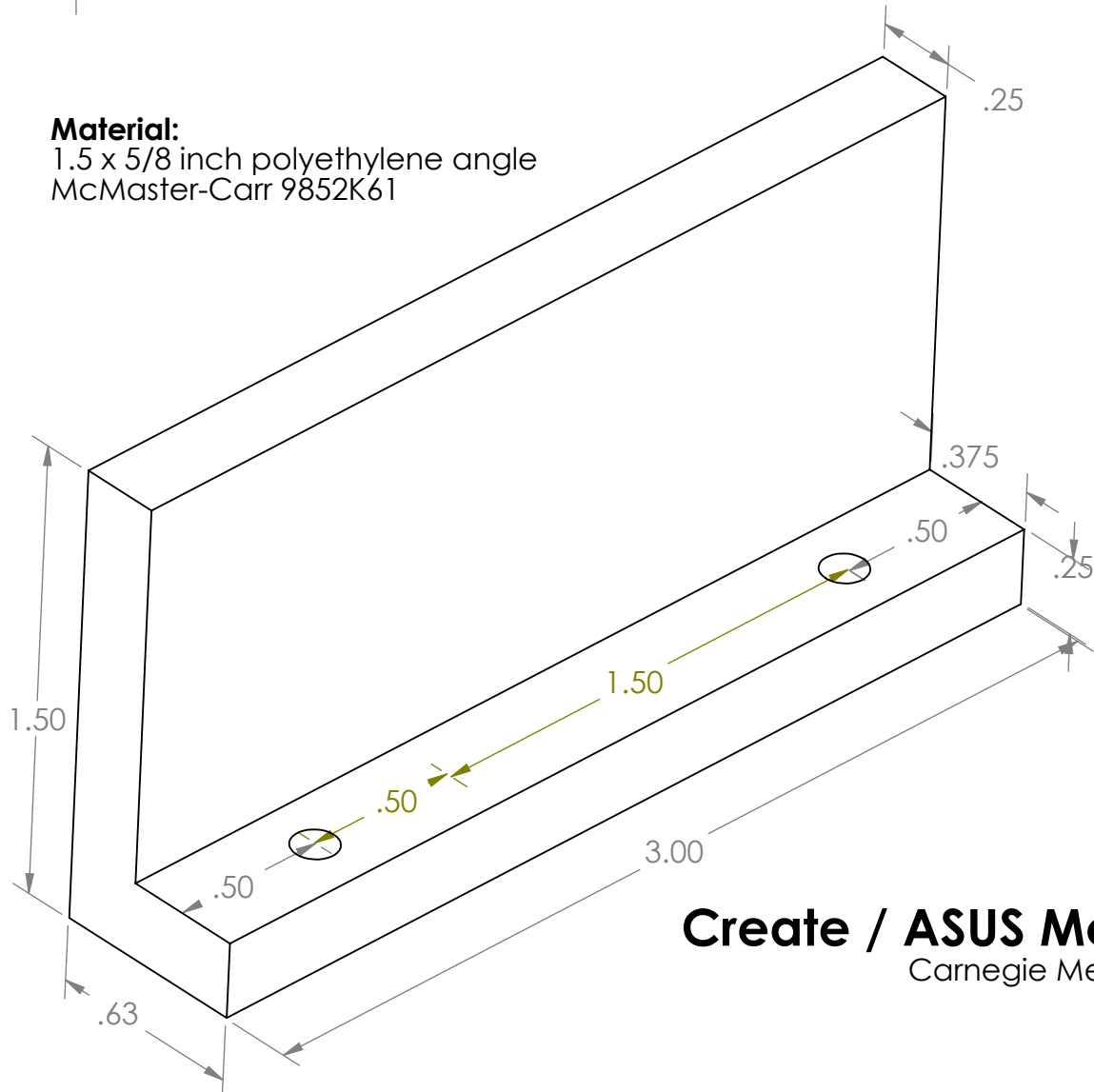


Create / ASUS Mounting Bracket: Base Plate
 Carnegie Mellon University, Tekkotsu Lab



Material:
 1.5 x 5/8 inch polyethylene angle
 McMaster-Carr 9852K61



Create / ASUS Mounting Bracket: Backstop
 Carnegie Mellon University, Tekkotsu Lab